



SEMI-AUTO TABLET/CAPSULE COUNTER

CVC SC204



Counting speed for the model CVC SC204 is double that of the CVC SC202 when running tablet products. Easy operator movements include placing two empty bottles and taking away two filled bottles.

STANDARD FEATURES

- Stainless steel construction with acrylic housing, meets cGMP standards.
- A unique sensor design prevents miscounts caused by voltage change or direct light to the counting head.
- Counting speed is adjustable.
- The vibrator tablet/capsule loading chute speed is adjustable to equal the counting speed.



CVC SC204 Technical Specifications

Capacity (per minute.)	Tablet 2,000 - 3,600 Capsule 1,300
Bottle Diameter	1 1/8" to 4" (30mm-100mm)
Bottle Opening	1" to 4" (25mm-100mm)
Bottle Height	2" to 7 1/8" (50mm-200mm)
Product Length	1/4" to 1 1/8" (5mm-30mm)
Product Width/Diameter	1/4" to 3/4" (5mm-20mm)
Power Source	110-120V or 220-240V 50/60 Hz / 1 phase
Power Consumption	350 VA
Machine Dimensions	3'-0" x 2'-6" x 2'-8" (920mm x 750mm x 810mm) (L x W x H)

Note: The actual rates may vary significantly depending on the following: products, product characteristics, required fill counts, quantity or volume, and bottle dimensions.

TECHNICAL SPECIFICATIONS

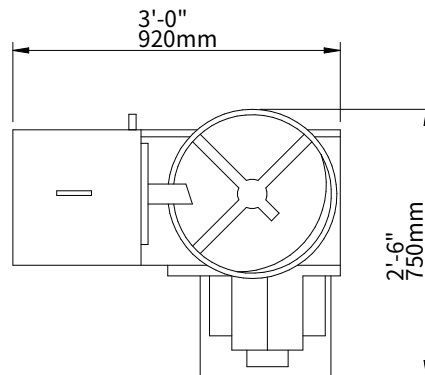
AVAILABLE OPTIONS

- A dust accumulator is attached inside of the machine to protect machine count accuracy.

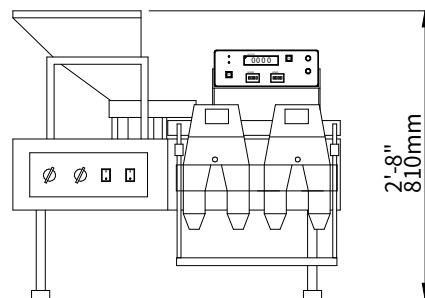


MACHINE LAYOUTS

Top View



Front View



The dimensions shown are for standard machine. The conveyor can be extended: the length may vary based on selected options. This machine can run independently or be integrated into an automated packaging line. All CVC equipment is covered by a one-year parts warranty. Full Warranty details are included in our equipment proposals or can be found on our website.



Contact Us

USA
10861 Business Drive, Fontana, CA 92337
Phone: +1 (909) 355-0311
www.cvctechnologies.com
sales@cvcusa.com

USA East Coast Office
1855 New Highway, Suite C, Farmingdale NY 11735
sales@cvcusa.com

Taiwan-Asia Pacific Headquarters
Phone: +886 (4) 2496-3666
sales@cvctechnologies.com

China/India
sales@cvctechnologies.com